

Stacked coin Type

Series: NF

■ Feature

Endurance : 70°C 1000 h

Japan



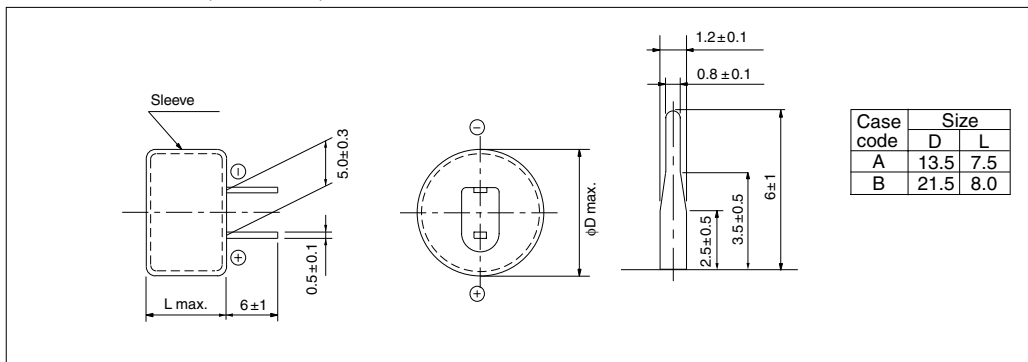
■ Recommended Applications

Memory back-up for Video, Audio, Camera, Telephones, Printer, Date terminal, Rice cooker and intelligent remote controller

■ Specifications

| | | |
|------------------------------------|--|---|
| Category temp. range | -25 to +70°C | |
| Maximum Operating Voltage | 5.5 V .DC | |
| Nominal Cap. Range | 0.1 to 1.5 F | |
| Characteristics at Low Temperature | Capacitance change | ±30% of initial measured value at +20°C (-25 to +70°C) |
| | Internal resistance | ≤ 5 times of initial measured value at +20°C (at -25°C) |
| Endurance | After 1000 hours application of 5.5V. DC at +70°C, the capacitor shall meet the following limits. | |
| | Capacitance change | ±30% of initial measured value |
| | Internal resistance | ≤ 4 time of initial specified value |
| Shelf Life | After 1000 hours storage at +70°C without load, the capacitor shall meet the specified limits for Endurance. | |
| Moisture Resistance | After 500 hours storage at +55°C, 90 to 95% R.H., the capacitor shall meet the specified limits for "Endurance". | |

■ Dimensions in mm (not to scale)



■ Standard products

| Maximum Operating Voltage (V.DC) | Capacitance (F) | Capacitance range (F) | internal resistance (Ω) at 1kHz | Case code | Part number | Min. Packaging QTY. | |
|----------------------------------|-----------------|-----------------------|---------------------------------|-----------|-------------|------------------------|------------------------------------|
| | | | | | | Quantity per box (pcs) | Quantity per outer packaging (pcs) |
| 5.5 | 0.10 | 0.08 to 0.18 | ≤ 75 | A | EECF5R5U104 | 200 | 2000 |
| | 0.22 | 0.176 to 0.396 | ≤ 75 | A | EECF5R5U224 | 200 | 2000 |
| | 0.47 | 0.376 to 1.410 | ≤ 30 | B | EECF5R5U474 | 100 | 500 |
| | 1.0 | 0.80 to 1.80 | ≤ 30 | B | EECF5R5U105 | 100 | 500 |
| | 1.5 | 1.20 to 2.70 | ≤ 30 | B | EECF5R5U155 | 100 | 500 |